

Non-Contact Thermometer Calibrator

OB-15/2 BBC

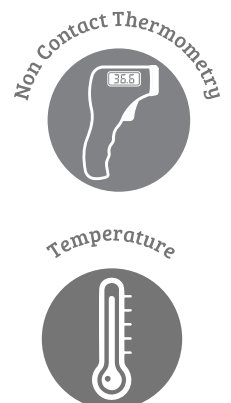


Kambič

Withnell Sensors
Data Loggers, Thermocouples & Calibration

Non-Contact Thermometer Calibrator **OB-15/2 BBC**

- Blackbody cavity with emissivity higher than 0.99 in a calibration fluid bath
- Metrological uniformity and stability in mK range
- Ready-to-fit reference PRT or SPRT for monitoring fluid stability
- Temperature range:
 - 30 °C ... 130 °C
 - 0 °C ... 130 °C when connected to a circulating cooler
- Various standard and tailored blackbody cavity shapes available
- Ready to run in benchtop design



Technical Data:	OB-15/2 BBC
Width	534 mm
Height	534 mm
Depth	474 mm
Working chamber dimensions	Ø 225 x h 270 mm
Volume	~ 15 L
Temperature range	30 °C ... 130 °C, 0 °C ... 130 °C when connected to a circulating cooler
Temperature Stability	± 0.002 °C @ 30 °C
	± 0.002 °C @ 37 °C
	± 0.002 °C @ 50 °C
	± 0.003 °C @ 70 °C
Temperature homogeneity	± 0.007 °C
Display resolution	0.001 °C
Set-point resolution	0.001 °C
Controlling temperature probe	PT 100
Temperature control	PID
Power supply (± 10%)	230 V / 50-60 Hz / 5 A
Wattage	1100 W
Communication port RS 232	Built-in
Cooling	Ready for connection to a circulating cooler
Construction materials	SS vessel and exterior housing
Overflow catch pot	included
Weight	41 kg

Options:



BB - EXERGEN



BB-CN



BB - CN+EXERGEN



BB - ASTM



BB - JIS T



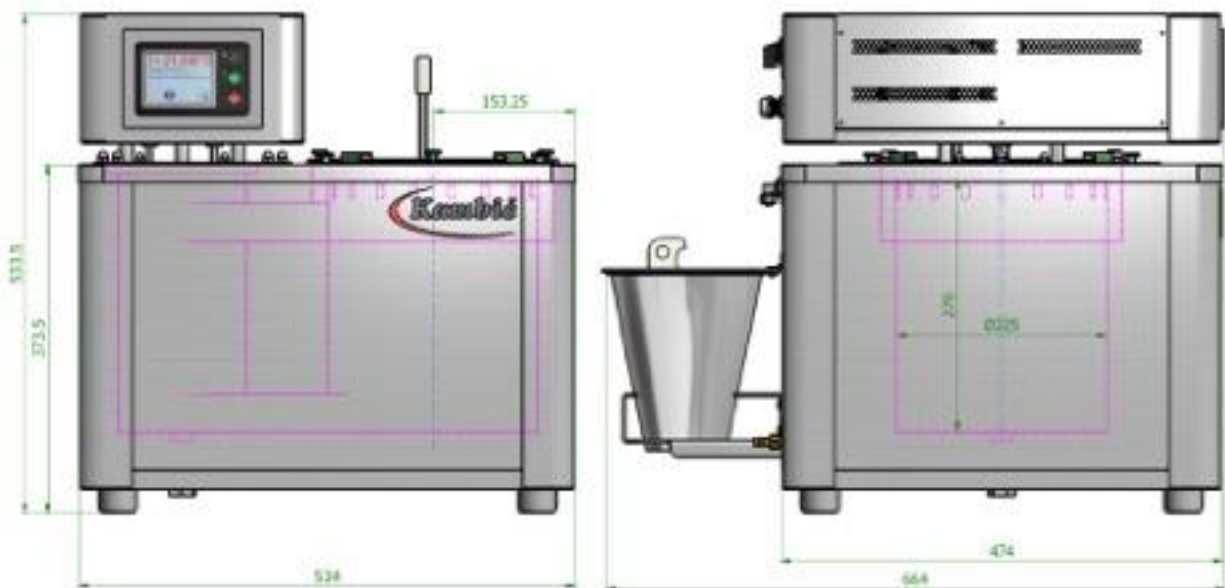
BB - EN

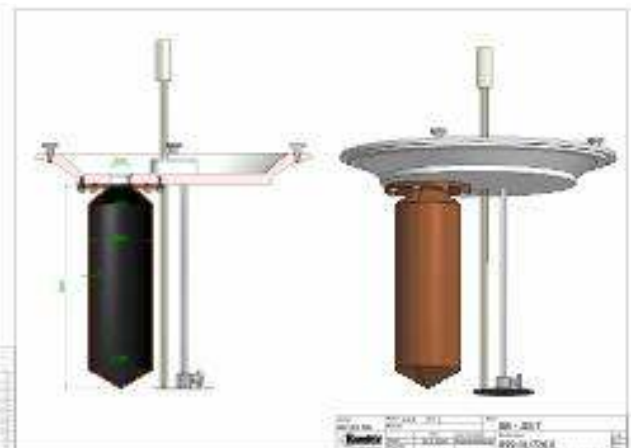
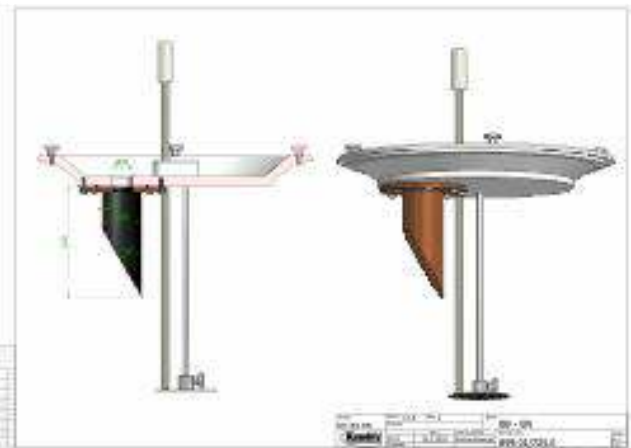
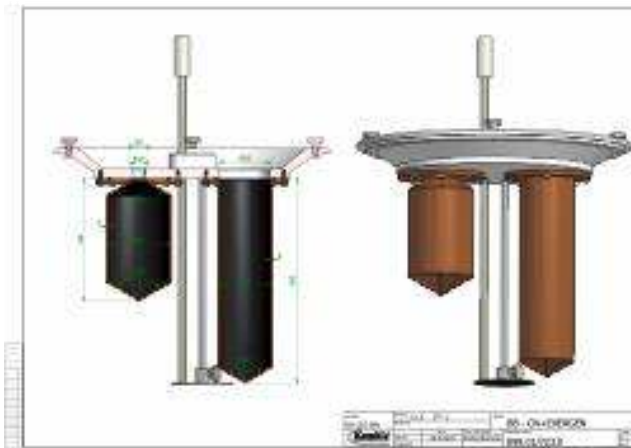
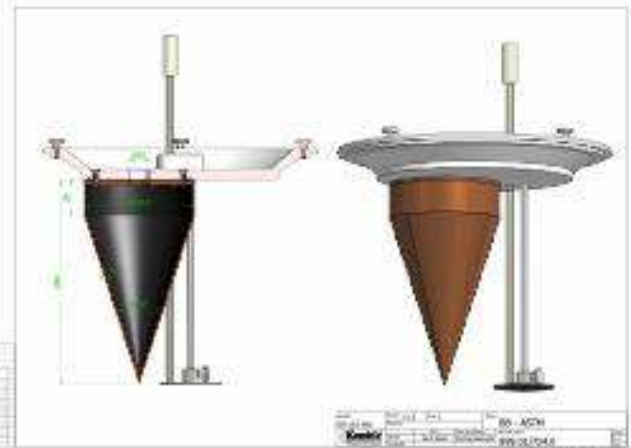
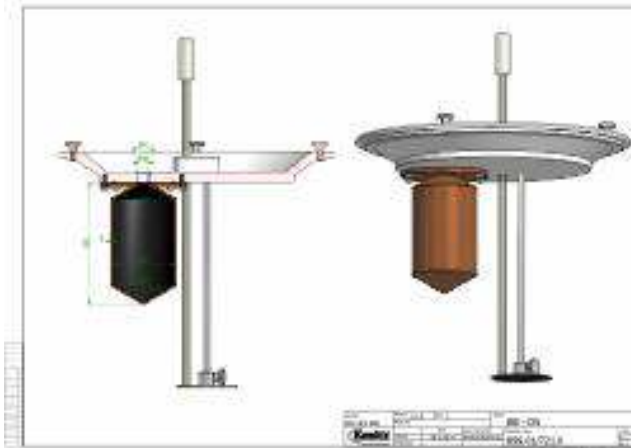


- 1. Blackbody opening
- 2. Reference sensor opening
- 3. Height-adjustable shelf for reference sensor
- 4. Blackbody cavity



Dimensions:





Get in touch



Independent, Expert Advice



UK Based Support & Engineers



Excellent After Sales Care



Service, Calibration & Repair Contracts

withnellsensors.co.uk
sales@withnellsensors.co.uk

**Withnell Sensors Ltd,
The Old Silk Mill,
Bury Lane,
Chorley,
PR68RX**